



Features

- 17" SXGA color TFT LCD with resolution up to 1280 x 1024
- 300 nits brightness
- Standard RGB(VGA) interface for the display
- Stainless steel chassis with IP65-compliant aluminum front panel
- OSD key on back cover
- Supports panel mount

Introduction

The FPD-170T is a 17 inch SXGA color TFT LCD flat panel monitor with resistive type touch screen. It is specifically designed for industrial applications. Its many industrial-grade features include IP65-compliant, aluminum front panel protection, steel chassis and panel mount and is especially suitable for applying with industrial PC.

Ordering Information

- ▶ **FPD-170T**
17" SXGA TFT LCD Industrial Flat Panel Display with Touch Screen.

Specifications

System

- **Input Signal** RGB
- **Control** OSD (on screen display) control pads on the rear cover
- **OS Support** Windows 98/2000/XP

Mechanical

- **Construction** Stainless steel chassis & aluminum alloy front panel
- **Front Panel** IP65 compliant
- **Mounting** Panel Mounting
- **Dimension** 470mm(W) x 380mm(H) x 48mm(D) (18.5" x 15" x 1.9")
- **Gross Weight** 10.05kg

Power Adapter

- **External Power** AC/DC power adapter (optional)

Environmental Specifications

- **Operating Temperature** 0 ~ 50°C
- **Storage Temperature** -20 ~ 60°C
- **Operating Humidity** 20% ~ 80%RH, Non-condensing
- **Vibration** 10 ~ 200HZ 1.5G 30mins each X,Y,Z

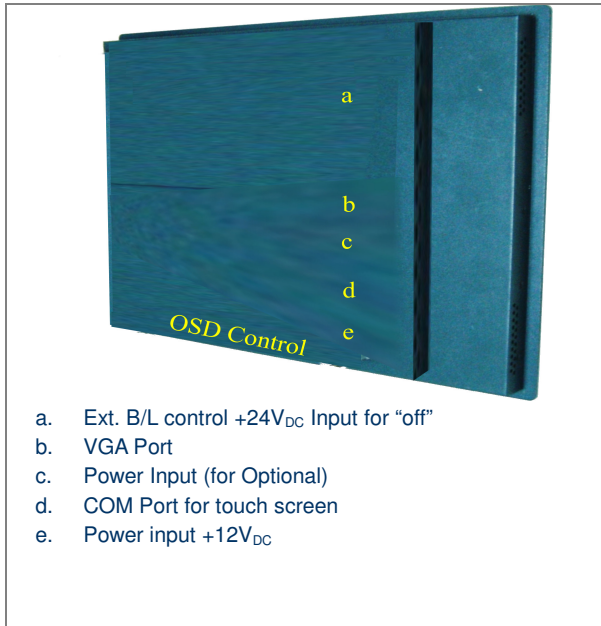
LCD Panel

- **Display Size** 17"
- **Display Type** SXGA TFT LCD
- **Max. Colors** 16.2M
- **Pixel Pitch** 0.264 x 0.264
- **Resolution** 1280 x 1024
- **Luminance** 300cd/m² (Typ.)
- **Contrast Ratio** 500:1 (Typ.)
- **Response Time** 16ms (Typ.)
- **Viewing Angle** 140°(H), 130°(V)
- **Lamp LifeTime** 50,000 hrs (Typ.)

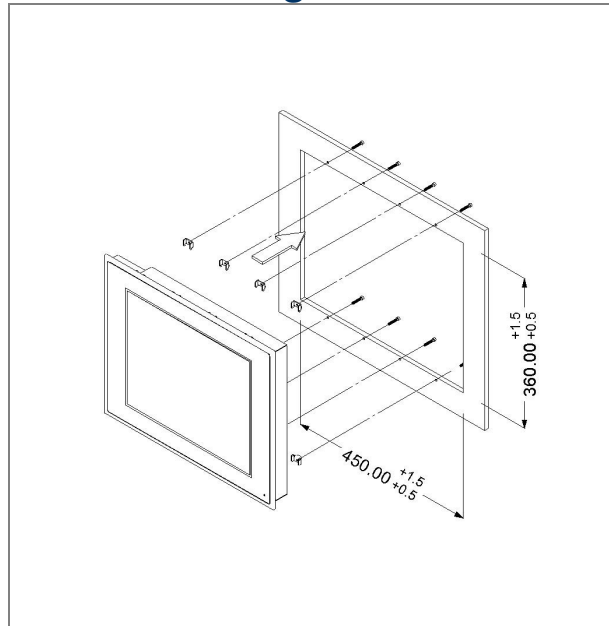
Touch Screen Panel

- **Type** 8-wire, analog resistive
- **Light Transmission** >80%
- **Controller** USB 1.1 interface
- **Durability** 10 millions touches
- **OS Support** Windows 98/2000/XP

Side View



Panel Mounting



Dimensions

