

Features

- 12.1" SVGA color TFT LCD with resolution up to 800 x 600
- 450 nits brightness and wide view angle
- Standard RGB(VGA) interface for the display
- Stainless steel chassis with IP65-compliant aluminum front panel
- OSD key on back cover
- Supports panel mount

Introduction

The FPD-121T is a 12.1 inch SVGA color TFT LCD flat panel monitor with resistive type touch screen. It is specifically designed for industrial applications. Its many industrial-grade features include IP65-compliant, aluminum front panel protection, steel chassis and panel mount and is especially suitable for applying with industrial PC.

Ordering Information

- ▶ **FPD-121T**
12.1" SVGA TFT LCD Industrial Flat Panel Display with Touch Screen.

Specifications

System

- **Input Signal** RGB
- **Control** OSD (on screen display) control pads on the rear cover
- **OS Support** Windows 98/2000/XP

Mechanical

- **Construction** Stainless steel chassis & aluminum alloy front panel
- **Front Panel** IP65 compliant
- **Mounting** Panel Mounting
- **Dimension** 336mm(W) x 256mm(H) x 51mm(D) (13.2" x 10.1" x 2")
- **Gross Weight** 4kg

Power Adapter

- **External Power** AC/DC power adapter (optional)

Environmental Specifications

- **Operating Temperature** 0 ~ 60°C
- **Storage Temperature** -10 ~ 70°C
- **Operating Humidity** 20% ~ 80%RH, Non-condensing
- **Vibration** 10 ~ 300HZ 1.5G 10min/cycle 3cycles each X,Y,Z

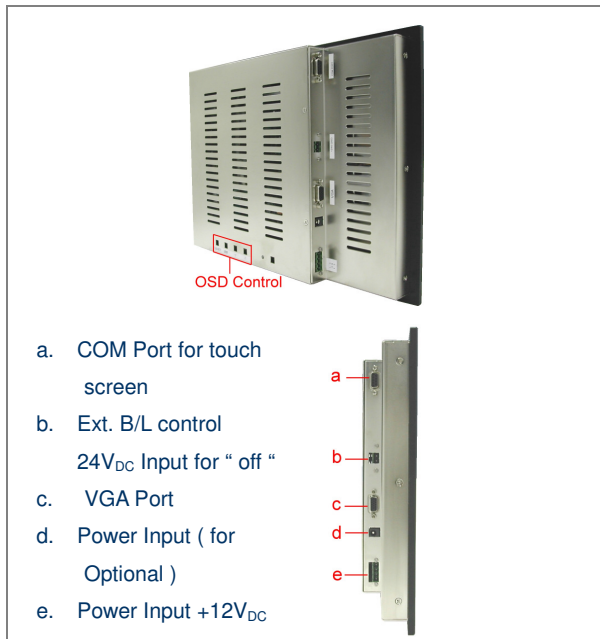
LCD Panel

- **Display Size** 12.1"
- **Display Type** SVGA TFT LCD
- **Max. Colors** 262K
- **Pixel Pitch** 0.3075 x 0.3075
- **Resolution** 800 x 600
- **Luminance** 450cd/m² (Typ.)
- **Contrast Ratio** 1000:1 (Typ.)
- **Response Time** 13ms (Typ.)
- **Viewing Angle** 178°(H), 178°(V)
- **Lamp Life Time** 50,000 hrs (Min.)

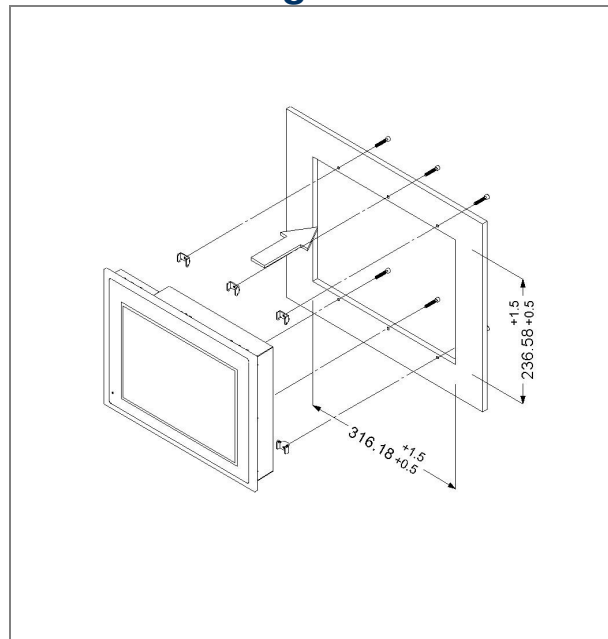
Touch Screen Panel

- **Type** 4-wire, analog resistive
- **Light Transmission** >80%
- **Controller** RS-232 interface
- **Durability** 10 millions touches
- **OS Support** Windows 98/2000/XP

Side View



Panel Mounting



Dimensions

