

### Features

- 8" VGA color TFT LCD with resolution up to 640 x 480
- 380 nits brightness
- Standard RGB(VGA) interface for the display
- Stainless steel chassis with IP65-compliant aluminum front panel
- OSD key on back cover
- Supports panel mount

### Introduction

The FPD-080T is an 8 inch VGA color TFT LCD flat panel monitor with resistive touch screen. It is specifically designed for industrial applications. Its many industrial-grade features include IP65-compliant, aluminum front panel protection, steel chassis and panel mount and is especially suitable for applying with industrial PC.

### Ordering Information

- ▶ **FPD-080T**  
8" VGA TFT LCD Industrial Flat Panel Display with Touch Screen.

## Specifications

#### System

- **Input Signal** RGB
- **Control** OSD (on screen display) control pads on the rear cover
- **OS Support** DOS, Windows 95/98/Me, Windows 2000/XP, Linux, Windows NT, Windows CE

#### Mechanical

- **Construction** Stainless steel chassis & aluminum alloy front panel
- **Front Panel** IP65 compliant
- **Mounting** Panel Mounting
- **Dimension** 260mm(W) x 200mm(H) x 39.7mm(D) (10.2" x 7.9" x 1.6")
- **Gross Weight** 3kg

#### Power Adapter

- **External Power** AC/DC power adapter (optional)

#### Environmental Specifications

- **Operating Temperature** 0 ~ 60°C
- **Storage Temperature** -10 ~ 70°C
- **Operating Humidity** 20 ~ 80%RH, Non-condensing
- **Vibration** 33 ~ 400HZ 3G 15mins / cycle ,2hrs for X,Z 4hrs for Y

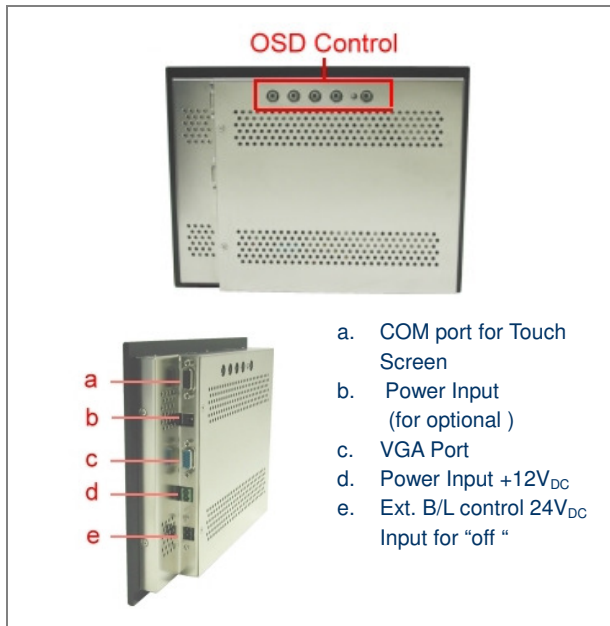
#### LCD Panel

- **Display Size** 8"
- **Display Type** VGA TFT LCD
- **Max. Colors** 262K
- **Pixel Pitch** 0.2535 x 0.2535
- **Resolution** 640 x 480
- **Luminance** 380cd/m<sup>2</sup> (Typ.)
- **Contrast Ratio** 250:1 (Typ.)
- **Response Time** 50ms (Typ.)
- **Viewing Angle** 130°(H), 120°(V)
- **Lamp Life Time** 20,000 hrs (Typ.)

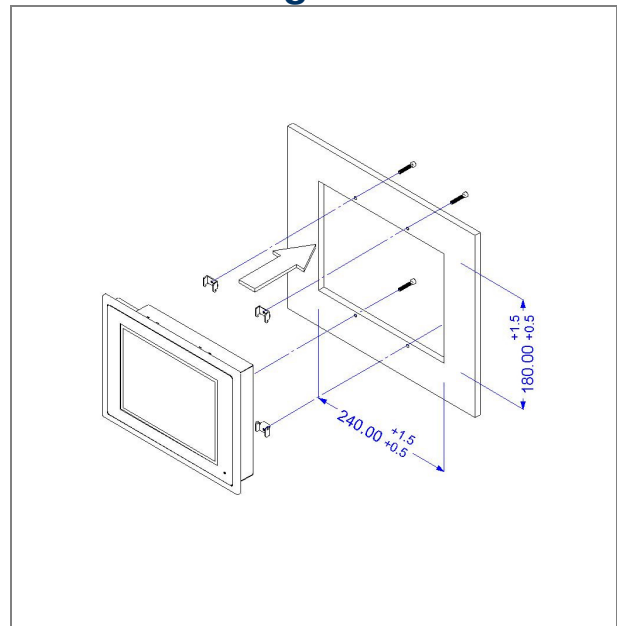
#### Touch Screen Panel

- **Type** 4-wire, analog resistive
- **Light Transmission** >80%
- **Controller** RS-232 interface
- **Durability** 10 millions touches
- **OS Support** DOS, Windows 95/98/Me, Windows 2000/XP, Linux, Windows NT, Windows CE

### Rear/Side View



### Panel Mounting



## Dimensions

